



PT-602CZ

Long Range Thermal Security Camera

TWO-YEAR WARRANTY FOR COOLED THERMAL CAMERAS

The FLIR PT-602CZ pan/tilt, multi-sensor security camera delivers thermal imaging from a long-life cooled, midwave thermal detector that delivers a lower cost of ownership and provides excellent long-range perimeter intrusion detection and surveillance. The 14x continuous optical zoom cooled thermal camera provides a wide field of view for improved coverage without compromising range performance and sees two times farther than uncooled thermal security cameras — even in complete darkness, bright sunlight, through dust and haze. Now offering a two-year warranty, including camera replacement, and a 48-hour turnaround time for repaired systems out of warranty, FLIR makes maintenance and service on cooled cameras easier than it has ever been. The PT-602CZ is ONVIF Profile S-compatible for easy integration into most third-party systems, and is more compact than previous models, making it a flexible solution for even the most demanding applications.



KEEP A CLOSE EYE ON TARGETS

See smaller details from farther away - 24/7

- 14x continuous optical zoom cooled thermal camera sees 2x further than uncooled systems – human detection at 4-5km
- Advanced quick thermal autofocus keeps images sharp when zooming
- 36x continuous optical zoom color-visible camera

CRISP THERMAL IMAGES

Cooled IR detector sensitivity creates the sharpest thermal images

- Cooled detector images at 640 x 480 resolution
- Digital Detail Enhancement (DDE) processing for high-contrast images in dynamic thermal scenes

EASY INTEGRATION

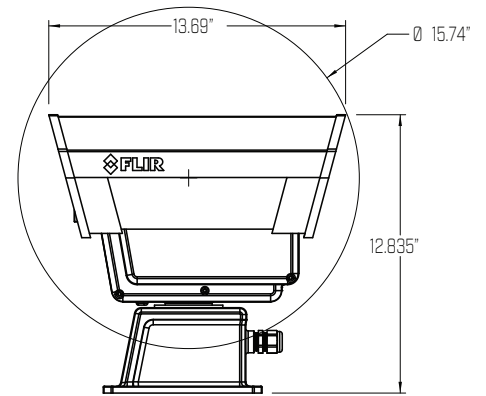
Integrate into existing networks or as a standalone unit

- ONVIF Profile S compliant, seamlessly integrates with most 3rd party systems
- Open IP standards for plug-and-play integration, IP and serial control interfaces
- IP and analog video outputs – thermal and visible

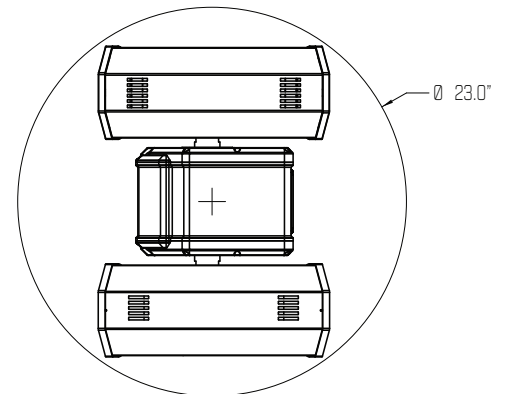
Specifications

Camera Model	PT-602CZ
Thermal Camera	
Array Format (NTSC)	640 × 512
Detector Type	Cooled Focal Plane Array
Spectral Range	3 μm to 5 μm
Effective Resolution	327,680
Field of View Limits	28° × 21° WFOV, 19mm 2° × 1.5° NFOV, 275mm
Optical Zoom	14x continuous
Digital Zoom	Continuously adjustable
Focus	Quick auto focus; manual
Image Processing	Automatic Gain Control (AGC) Digital Detail Enhancement (DDE)
Outputs	
Composite Video	NTSC or PAL
Video over Ethernet	2 channels of streaming, MPEG-4, H.264, or M-JPEG
Interfaces	TCP/IP RS-422 RS-232 Pelco D Bosch
Pan/Tilt Performance	
Pan Angle/Speed	Continuous 360°; 0.1° to 60°/sec
Tilt Angle/Speed	+90° to -90°; 0.1° to 30°/sec
Programmable Presets	128
General	
Weight	~40.8 lb
Dimensions (L,W,H)	13.8" × 19.5" × 13.1" (352 mm × 495 mm × 333 mm)
Input Voltage	24 VAC (20-30 VAC) 24 VDC (21-30 VDC)
Power Consumption (Consult product manuals for details of power requirements)	24 VAC: 70 VA (max w/o heaters); 260 VA (max w/ heaters) 24 VDC: 60 W (max w/o heaters); 230 W (max w/ heaters)
Visible Light Camera	
Sony FCB-EX1020	
Sensor Type	1/4" Exview HAD CCD
Lens Field of View	57.8° (h) to 1.7° (h)
Focal Length	3.4 mm to 122.4 mm
Zoom	36x optical zoom, 12x digital zoom
F/#	1.6 to 4.5
Effective Pixels (NTSC/PAL)	380K/440K
Image Stabilization	Electronic

side view



top view



SANTA BARBARA

FLIR Systems, Inc.
70 Castilian Drive
Goleta, CA 93117
USA
PH: +1 866.344.4674

PORTLAND

Corporate Headquarters
FLIR Systems, Inc.
27700 SW Parkway Ave.
Wilsonville, OR 97070
USA
PH: +1 866.344.4674

EUROPE

FLIR Systems
Luxemburgstraat 2
2321 Meer
Belgium
PH: +32 (0) 3665 5100

CANADA

FLIR Systems - Canada
250 Royal Crest Court
Markham, Ontario,
Canada L3R 3S1
PH: +1 866.344.4674

www.flir.com
NASDAQ: FLIR

Equipment described herein may require US Government authorization for export purposes. Diversion contrary to US law is prohibited. Imagery for illustration purposes only. Specifications are subject to change without notice. ©2014 FLIR Systems, Inc. All rights reserved. (Updated 06/15)